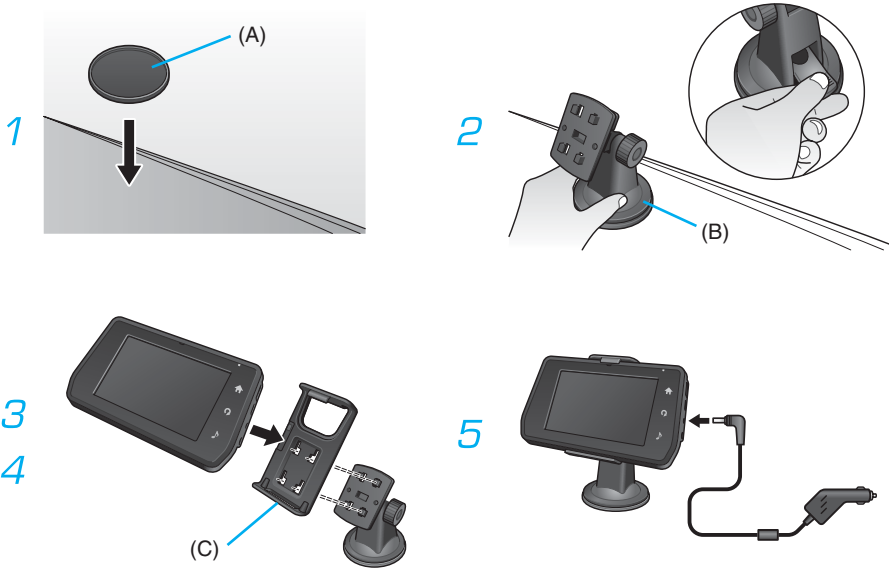


# Appendix

## How to mount the unit onto the standard cradle



Use the standard cradle (A + B + C) to install the unit in a motor vehicle.

### **WARNING**

- Install the unit in a location where it will not interfere with vehicle operation.
- Install the unit in a location where it will not interfere with air bag deployment and will not block the driver's field of view.
- Do not install the unit on a window. Doing so is dangerous and can block driver vision.

1 After cleaning the installation location of any oil or other foreign matter, affix the suction plate (A).

### **CAUTION**

- It takes about 24 hours before sufficient adhesion of the suction plate is reached.

2 Attach the suction cup of the support arm (B) to the suction plate, and then lower the support arm lever.

### **CAUTION**

- To maintain suction strength, remove and reinstall the suction cup once a month.

- 3 Insert the attachment (C) into the support arm.  
Press the attachment in until it is secured in place.
  - 4 Attach the unit to the attachment, adjusting the angle of the built-in GPS antenna so it is pointed skywards.
- ▶ **NOTE**  
*It may take a number of minutes before the initial current location reading becomes available from the GPS.*
- 5 Connect the provided car adapter to the unit and plug the other end of the adapter into the vehicle's cigarette lighter socket (12V/24V).
  - 6 Affix the supplied protection film to the LCD screen to protect it against scratching.

 **CAUTION**

- **The adhesive side of the protection film is prone to soiling by dirt and dust. Do not directly touch it.**
- **Do not crease the protection film.**

 **WARNING****Precautions during Car Adapter Use**

- **This unit is designed for use in a 12V/24V DC negative ground vehicle only.**
- **Use only the specified car adapter.**
- **Before plugging the car adapter into a cigarette lighter socket, inspect and clean the lighter socket. Tobacco ashes or other foreign matter inside the cigarette lighter socket can result in poor contact and create the risk of overheating of the plug or may cause fire.**
- **Securely insert the cigarette plug as far as it will go. Incomplete insertion creates the risk of excessive overheating, fire, etc.**

**WARNING NOTE**

Always start the vehicle's engine before using the car adapter. Use of the car adapter with the engine stopped creates the risk of running down the vehicle's battery.